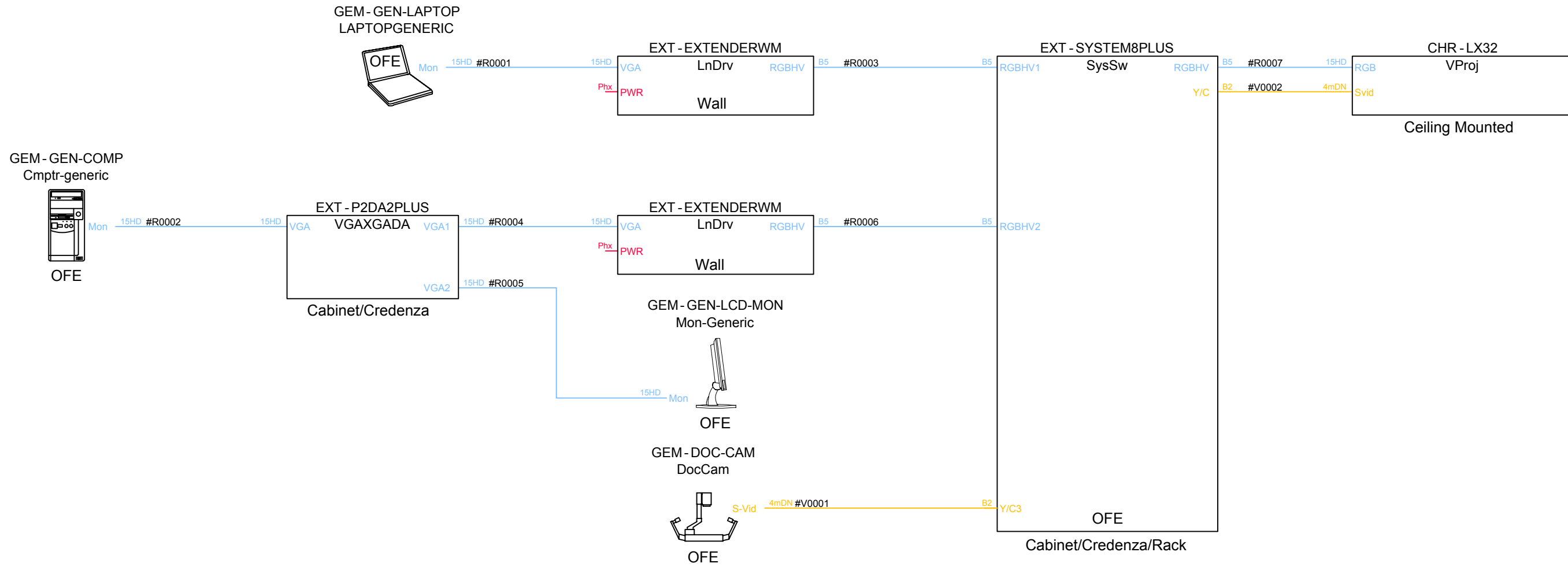


©2008 VECTOR SKETCH THE INFORMATION AND DESIGNS CONTAINED IN THIS DRAWING ARE CONFIDENTIAL AND THE PROPRIETARY PROPERTY OF VECTOR SKETCH LLC. NEITHER THIS DESIGN NOR ANY INFORMATION CONTAINED IN THIS DRAWING MAY BE REPRODUCED OR DISCLOSED TO OTHERS WITHOUT THE EXPRESS WRITTEN CONSENT OF VECTOR SKETCH LLC.

431 Quiet Field Dr.  
St. Peters, MO, 63376  
636-294-2281



audio drawing	<b>AV System Schematic</b>			
	<b>Simple Conference Room</b>			
Approvals	Date	Revision	Drawing #	Scale:
Drawn: ABOYD	11/15/05	A	1	none
Checked: ABOYD	11/15/05		Contract #	
Modified: ABOYD	11/15/05			
Final: ABOYD	11/15/05			Sheet 1 of 3



©2006 VECTOR SKETCH THE INFORMATION AND DESIGNS CONTAINED IN THIS DRAWING ARE CONFIDENTIAL AND THE PROPRIETARY PROPERTY OF VECTOR SKETCH LLC. NEITHER THIS DESIGN NOR ANY INFORMATION CONTAINED IN THIS DRAWING MAY BE REPRODUCED OR DISCLOSED TO OTHERS WITHOUT THE EXPRESS WRITTEN CONSENT OF VECTOR SKETCH LLC.

431 Quiet Field Dr.  
St. Peters, MO, 63376  
636-294-2281

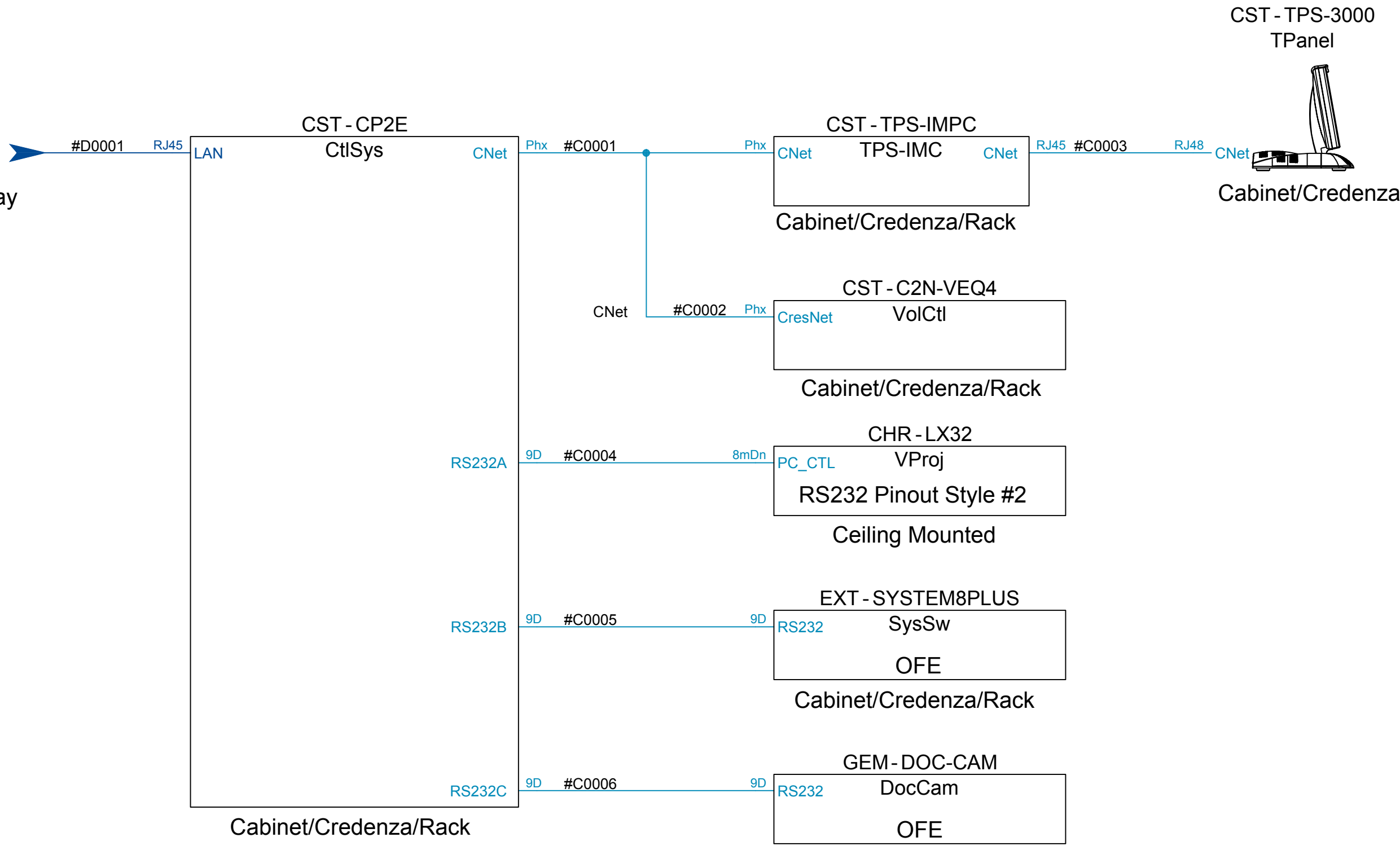


video drawing		Revision		Date	
Approvals	ABOYD	11/15/05	A		
Drawn:	ABOYD	11/15/05			
Checked:	ABOYD	11/15/05			
Modified:	ABOYD	11/15/05			
Final:	ABOYD	11/15/05			

AV System Schematic			
Simple Conference Room		Paper Size	Scale:
Drawing #	2	B 17x11	none
Contract #			
		Sheet	2 of 3

15e Data Drop  
 tific IP Address,  
 and Defult Gateway



©2008 VECTOR SKETCH THE  
 INFORMATION AND DESIGNS  
 CONTAINED IN THIS DRAWING  
 ARE CONFIDENTIAL AND THE  
 PROPRIETARY PROPERTY OF  
 VECTOR SKETCH LLC.  
 NEITHER THIS DESIGN NOR ANY  
 INFORMATION CONTAINED IN  
 THIS DRAWING MAY BE  
 REPRODUCED OR DISCLOSED TO  
 OTHERS WITHOUT THE  
 EXPRESS WRITTEN CONSENT  
 OF VECTOR SKETCH LLC.

431 Quiet Field Dr.  
 St. Peters, MO, 63376  
 636-294-2281



<b>AV System Schematic</b>		<b>Simple Conference Room</b>	
Drawing #	3	Paper Size	B 17x11
Revision	A	Scale:	none
Contract #		Sheet	3 of 3

control drawing	Date	11/15/05
Approvals	Date	11/15/05
Drawn: ABOYD	Checked: ABOYD	Modified: ABOYD
Final: ABOYD		